

CONTOUR 8 Bar 650mm STR-TDC 230V

POLISHED GRADE 304 Stainless Steel

Controller Features - TDC Timer:

- 4 On/Off programs in a 24hr period
- Temperature Adjustment
- 4 Modes of operation
- Screen Auto-Lock
- One button push - QUICK RUN
- 24hr Clock.



Controller Technical Specifications:

Controller: TDC Timer
INPUT Voltage Range: 190VAC~250VAC
Operating Frequency: 50 Hz ±2%
Load Capability: 0.18A~4A
Load Control Range: 40~100%
Standby Current: 3.5mA

HTR Technical Specifications:

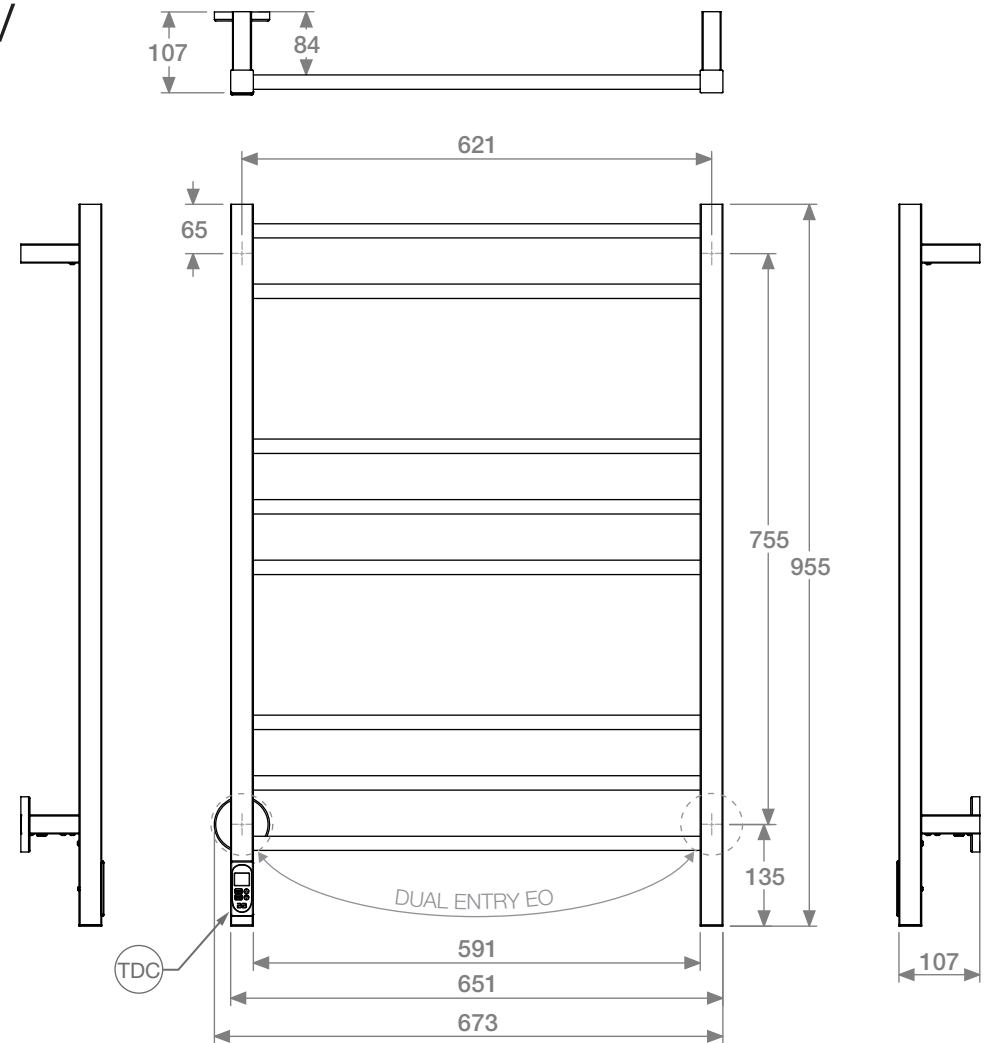
Model: CON08231-TDC-POLS
Size: 673mm (width) x 955mm (height)
Power: 105 Watts
Current: 0.46 Amps
Volts: 230 VAC
IP Rating: IPX5

Suggested Height of Electrical Outlet = 875mm
(this is only an indication as every installation is different)

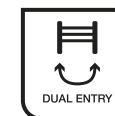
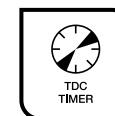
NOTES:

- *EO Denotes DUAL ENTRY Electrical Outlet connection
- *TDC Denotes location of TDC Timer

Dimensions given are in mm. Bathroom Butler® reserves the right to alter and/or remove designs from time to time without prior notice. This drawing is to be used for reference purposes only. E &O.E. This product may not be available in your specific country, please check local website for availability. Copyright Bathroom Butler® 2016



BB™ BATHROOM BUTLER



South Africa: 0860 104 653 • info@bathroombutler.co.za • www.bathroombutler.co.za
 Australia: 1300 133 320 • sales@bathe.net.au • www.bathe.net.au
 Mauritius: 230 242 1248 • sales@lisingroup.com • www.bathroombutler.com

Document version **3.3**
 Product version **3.0**