

The logo consists of the letters 'BB' in a bold, red, sans-serif font. A small 'TM' trademark symbol is positioned to the upper right of the second 'B'.

BATHROOM
BUTLER

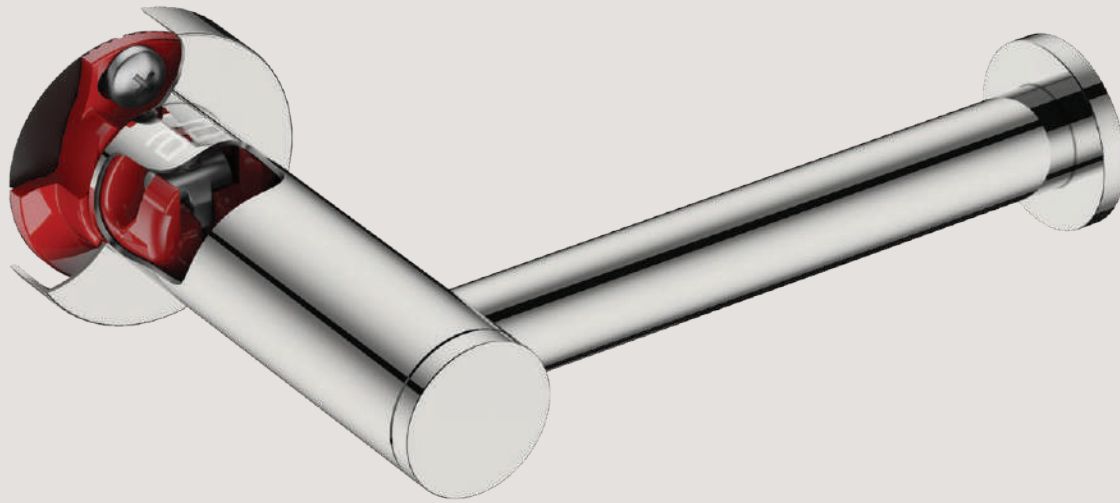
4800 SERIES

Bathroom Accessories

011 334 8100 | info@bathroombutler.co.za
www.bathroombutler.com/za

A modern bathroom with light blue walls and a shower area with teal subway tiles. A white vanity with a wooden top holds a white sink and a chrome faucet. A large mirror with a gold frame is mounted above the sink. A yellow towel hangs on a chrome towel rack to the right. The shower area features a glass door, a chrome showerhead, and a chrome shelf with toiletries.

Discover beauty in every detail.



RIGID LOC – DESIGN MEETS INNOVATION

We have developed an innovative mounting system called RIGID Loc to ensure bathroom accessories don't come loose or wobble free on their mounting. (SA Patent 2012/05046)



The Problem

Loose, wobbly bathroom accessories.



The Cause

Traditionally bathroom accessories were attached to the mounting using set screws, which had to be retightened regularly to keep the accessory in place.



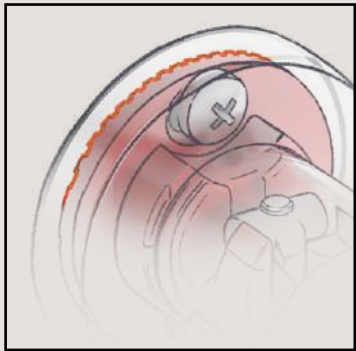
The Solution

Bathroom Butler bathroom accessories. We have developed an innovative mounting system called RIGID Loc to ensure bathroom accessories don't come loose or wobble free on their mounting.



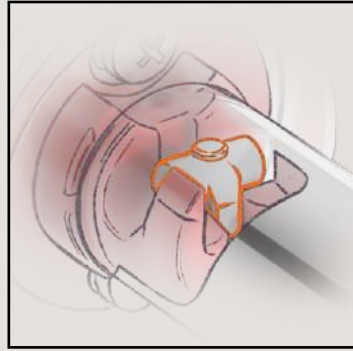
ENGINEERED DOWN TO THE FINEST DETAIL

Firmly secured to the mounting, the unique RIGID Loc mounting pulls the accessory firmly against the cover plate and locks it securely in place.



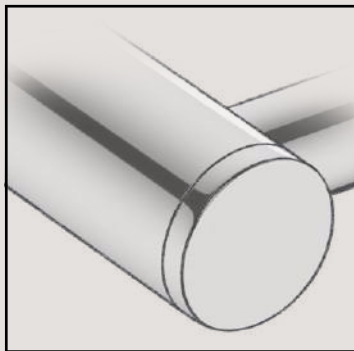
Prevents Movement

The gripping ribs along with the adhesive template help prevent movement even on ultra-smooth surfaces.



Secure Mount

As the screw tightens the t-barrel slides down the mounting locking the bathroom accessory securely in place.



GRADE 304 Stainless Steel

100% Recyclable, rust and flake free, durable and easy to maintain.

15 YEARS OF DESIGN INNOVATION

Established in South Africa, Bathroom Butler is a family owned business that has been manufacturing bathroom accessories for over 15 years. With our underlying passion for innovation, we are driven to constantly evolve to surpass market expectations and have been using smart materials such as GRADE 304 Stainless Steel in combination with sustainable design to produce top end heated towel rails and bathroom accessories that are as beautiful as they are functional.



Function, in perfect form

4800 SERIES

Combines a classic round design with a subtle modern element. It compliments all bathroom styles, providing a sophisticated look and feel with a lasting elegance..



Paper Holder
Model: 4801 ●



Glass Tumbler + Holder
Model: 4832 ●



Robe Hook Single
Model: 4810 ●●●



Toilet Brush + Holder
Model: 4838 ●



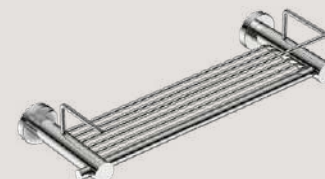
Paper Holder Spare
Model: 4804 ●



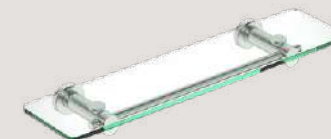
Robe Hook Double
Model: 4811 ●



Soap Rack
Model: 4830 ●



Shower Rack 330mm
Model: 4820 ●



Glass Shelf 500mm
Model: 4825 ●

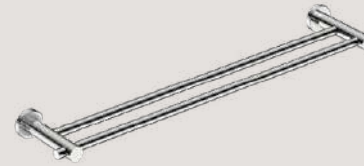




Towel Ring
Model: 4841 ●



Single Towel Rail
Model: 4870, 430mm ●
Model: 4872, 650mm ●
Model: 4875, 800mm ●



Double Towel Rail
Model: 4882, 650mm ●
Model: 4885, 800mm ●

This range is available in a polished POLS finish, matt black MBLK or a champagne gold BCGD finish. For colour options available in this range, refer to the colour discs below each item. Bathroom Butler reserves the right to alter and/or remove designs from time to time without prior notice.



Complete the look with...

HEATED TOWEL RAILS

NATURAL COLLECTION



HYGIENICALLY DRY

Bathroom Butler heated towel rails use Dry Element Technology or DET which ensures quicker heat up times, reaching optimum temperature within 10min. With the wattage of the average size heated rail being the same as a single light bulb, they don't cost much to run either.

DESIGNED TO MAKE THE MOST OF GLASS

Secure and precise mountings for bathroom accessories on glass panels and shower doors.



glass mounting RL round
Model: 1005



glass mounting RL round
+ pull knob
Model: 1006

Glass Mountings are optional extras for bathroom accessories only and available in a polished POLS finish. Model 1005 also available in matt black MBLK finish.

Every detail well considered. Our products are made from one of the finest grades Stainless Steel, combined with flawless design. Meticulous engineering and years of perfecting resulted in the most effective bathroom accessories imaginable turning your bathroom into a space worth showing off.



Made from GRADE 304 Stainless Steel and hand polished to a mirror finish, our products will neither rust nor flake thanks to the inherent corrosion resistance properties of GRADE 304 Stainless Steel.



No More Loose Accessories. With our unique RIGID Loc Mounting System our bathroom accessories remain securely fitted on the wall.



All our stainless steel bathroom accessories with the RIGID Loc mounting system are covered by a 15 Year Limited Guarantee against manufacturing defects.



Smart materials



Smart design



Smart manufacturing