

ENGLISH

Thank you for purchasing this BATHROOM BUTLER® product.
Please read these instructions carefully before installing this product.

Assembly Instructions. (HTR-NAT05FST_VSA-2.1)

FOR USE WITH THE FOLLOWING PRODUCT: **NATURAL 5 Bar Free Standing**

PRODUCT GUARANTEE

Please see separate product guarantee card supplied with your heated towel rail (HTR) for guarantee terms and conditions or visit www.bathroombutler.com for more information and to complete the online warranty activation.

WARNING (States a hazard which may pose serious injury or death if exact installation instructions are not followed)

1. DO NOT place the heated towel rail (HTR) in the immediate vicinity (600mm / 2 ft / 23 ½ inches) of a water outlet such as a tap or shower.
2. DO NOT attempt to disassemble the HTR, as the warranty will be void if disassembled.
3. DO NOT damage or tamper with the power cable. If the power cable is damaged please return to place of purchase.
4. DO NOT use the HTR as a ladder, hang or climb on it, to be used for intended purpose only.
5. This is a heating device and should be treated as such, and thus precautions should always be followed to reduce the risk of fire, electrical shock and injury to persons, including but not limited to the following:
 - 6.1. Use the HTR as described in this manual only, any other use not recommended by the manufacturer may cause fire, electric shock or personal injury.
 - 6.2. Use the HTR for drying towels and adding some warmth to bath towels.
 - 6.3. Due to high temperature and the risk of fire, keep electrical cords, drapery, furnishing and other combustibles at least 900mm / 3 ft / 36 inches clear from the front of the HTR.
6. The PTSelect Switch and TDC Timer are NOT electrical isolators.
7. To provide continued protection against risk of electric shock, connect to properly grounded outlet only. (Omni polar disconnection electrical system with a distance among contacts of 3mm / 1/8 inches).
8. Before attempting any maintenance of the HTR ensure that the power is disconnected (unplugged) at the point of isolation.
9. Check product rating label voltage and make sure correct voltage is supplied at electrical point.

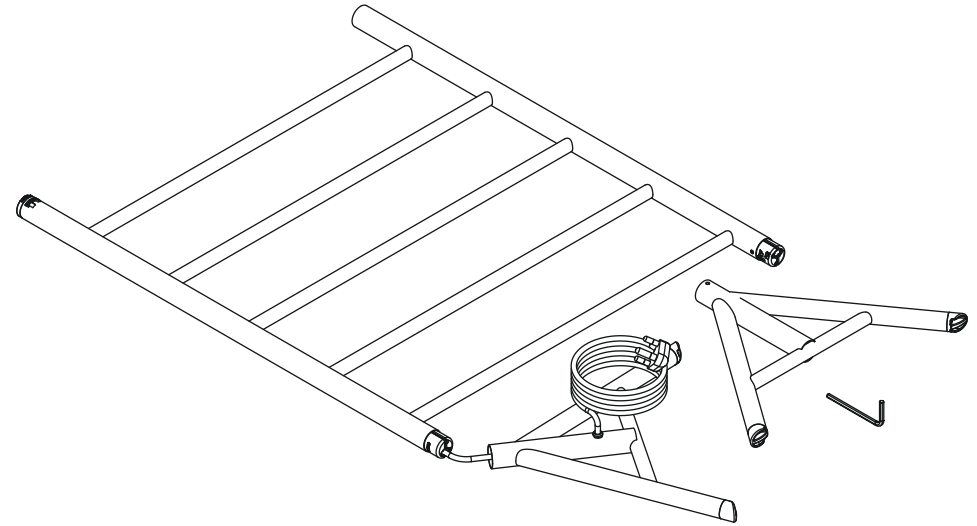
CAUTION (States a hazard which may pose minor injury and/or product damage if installation instructions are not followed)

1. HOT Surfaces, avoid contact with bare skin.
2. The heated towel rail (HTR) is intended for indoor use only.
3. The temperature of the individual rails of the HTR will increase when covered, AVOID touching the covered rails as the increase in rail temperature may cause a minor contact burn.
4. Discoloration of certain bath towels may occur due to fabric make up, detergent residue or excessive amount of towels placed on HTR. Reduce the temperature accordingly using the PTSelect Switch or TDC Timer (whichever is applicable).
5. Piling multiple towels on top of each other increases the risk of towel discoloration due to heat.
6. DO NOT place this appliance inside a shower, sauna, steam room or wherever the product would be exposed to direct constant water jets.
7. DO NOT clean while the HTR is hot.
8. DO NOT clean with an abrasive or acid based cleaning material (such as a tile grout remover/cleaner). Use only a soft, damp cloth.
9. This HTR is not intended for use by children or other persons without assistance or supervision if their physical, sensory or mental capabilities prevent them from using it safely. Children should be supervised to ensure that they do not play with the HTR and hurt themselves in any way.
10. If the HTR is not in use for an extended period of time, it is recommended to disconnect (switch off) the power at the point of isolation.
11. When handling the HTR during assembly be careful not to scratch, damage or dent any surfaces as this is not covered by the warranty.

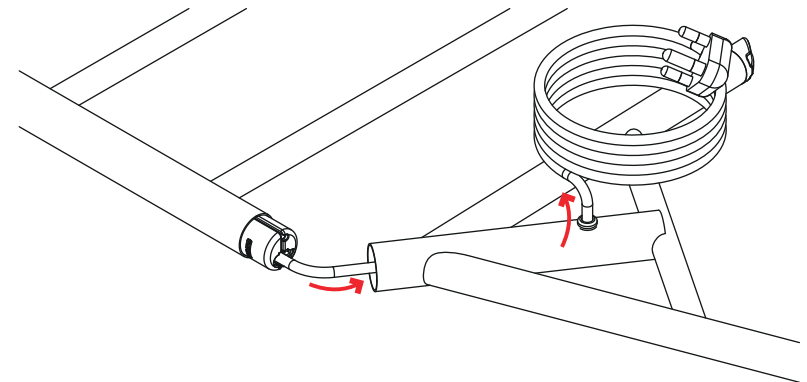
NOTE

The products featured in the diagrams have been used for graphical representation only. Actual products may vary in relation to the diagrams. Due to the fact that Bathroom Butler is always actively researching new methods and/or materials with a view to further improving its products, you may notice some differences between the parts you received and the assembly method described herein. Please understand that this instruction leaflet is intended as a guide only.

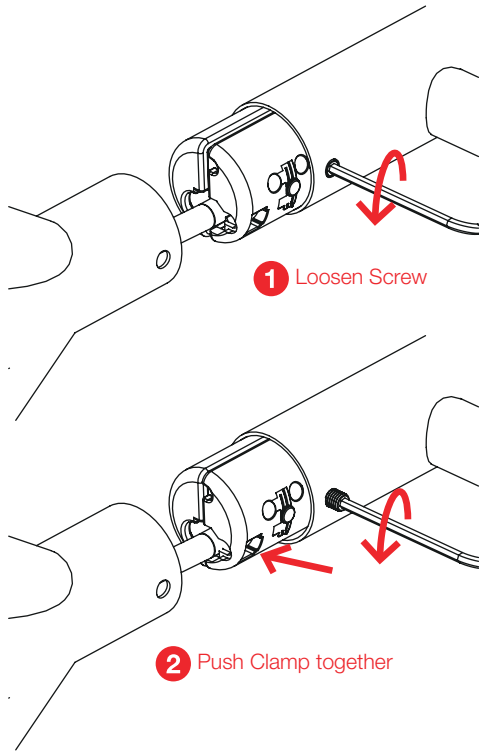
1. Parts supplied



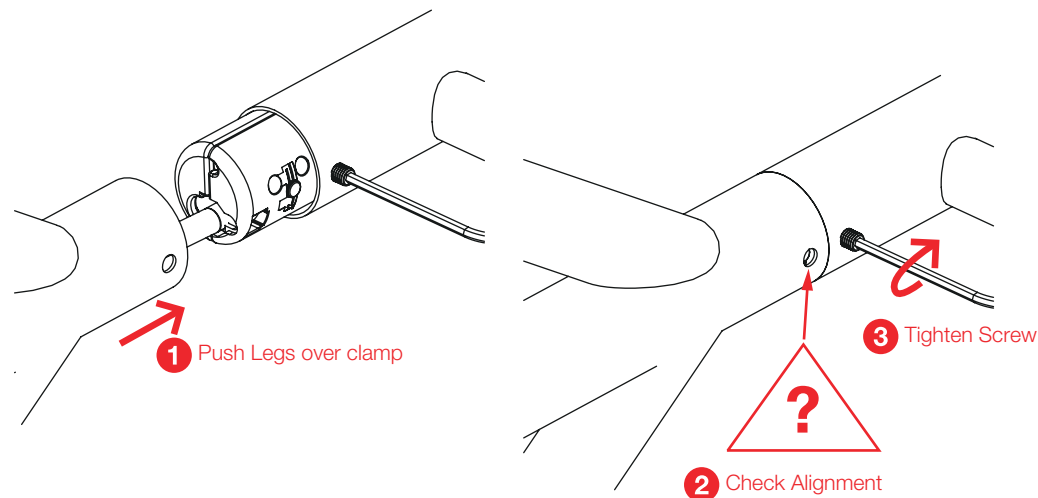
2. Feed electrical cable to bring leg to post



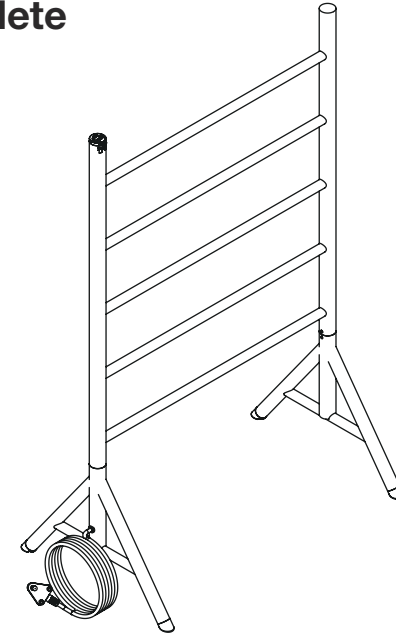
3. Loosen screw to reduce Clamp



4. Tighten Legs in place



5. Assembly complete



6a. Using your HTR: PTSelect Switch

The PTSelect Switch allows you to switch the HTR ON and OFF as well as adjust the temperature.

To increase the temperature, turn the dial to the right. To decrease the temperature, turn the dial to the left. To switch off, keep turning the dial to the left until you hear an audible click.

When the HTR is on, the PTSelect Switch is illuminated by a red light. This red light flashes, depending upon the heat level chosen. The longer the red light glows, the warmer the heated towel rail will be.

6b. Using your HTR: Folding your towels

To ensure that your towels are dried efficiently and effectively, it is important to fold your towels into 4 layers. Just draping your towel over the HTR is ineffective and will prevent your towel from drying. It is also not advisable for there to be more than 4 layers of towelling on any one bar, as it will be very difficult for the heat to penetrate beyond the 4 layers.

To fold your towel in to 4 layers is simple – just fold it in half and then in half again. Now hang the towel over the HTR. When the towel is hung over the HTR, it is recommended that the bottom end of the towel should not extend more than 150mm below the bottom bar.

6c. Using your HTR: Cleaning and Maintenance

Bathroom Butler HTRs are made from GRADE 304 Stainless Steel and should be cleaned regularly with a warm damp cloth, and then buffed dry with a clean dry cloth. Do not use the rough end of a kitchen sponge to clean your HTR. To remove any small blemishes or fine scratches, use a metal polish. Remember to switch the HTR off and leave it to cool for 15 minutes before cleaning.

DO NOT clean your HTR with any kind of ACID BASED CHEMICAL, TILE CLEANER or detergents that contain chlorine, as this may contaminate and damage the surface finish of the HTR.

There is no maintenance required on your Bathroom Butler HTR.