

1008 GLASS MOUNT RL SQUARE + PULL KNOB

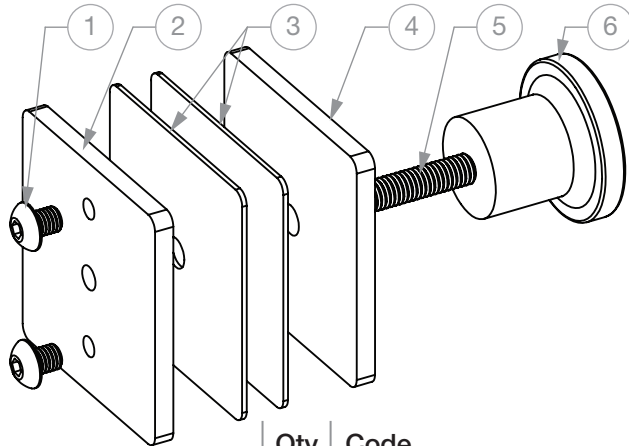
Used with double mounted BTA item

Code: 1008POLS

Finish: Polished
GRADE 304 Stainless Steel

Code: 1008BRSH

Finish: Brushed
GRADE 304 Stainless Steel

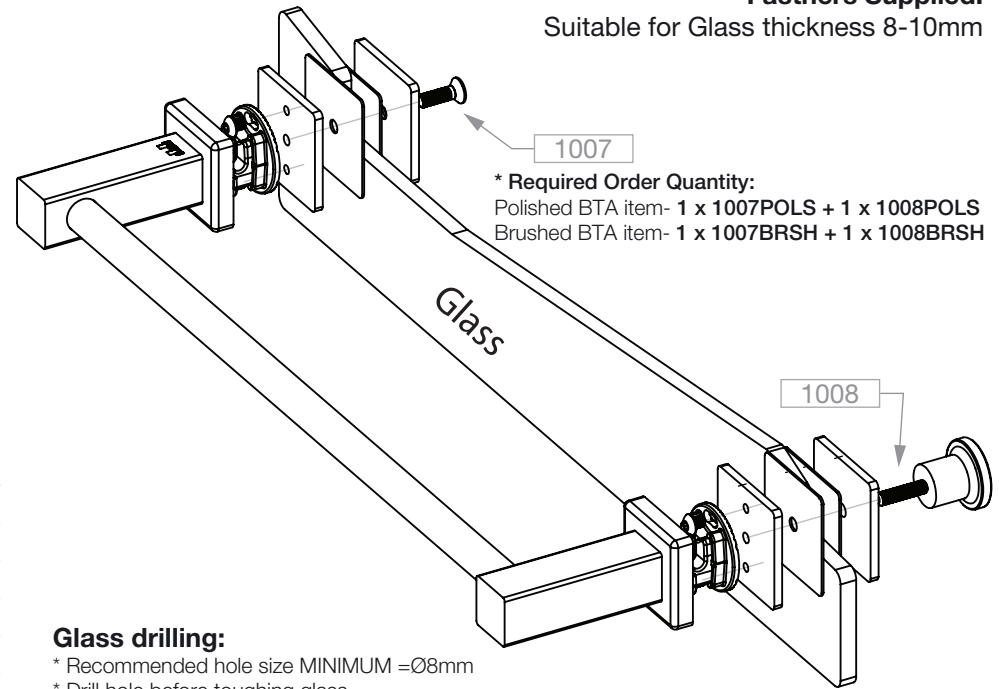


Item	Description	Qty	Code
1	Button Head Screw M5x6	2	SP4601506
2	SQ Disc #2 SS304 50mm	1	SP2235POLS
3	SQ Glass Mount Disc Plastic 50mm	2	SP2522MACH
4	SQ Disc #1 / Disc #3 50mm SS304	1	SP2234POLS/SP2236POLS
5	Thread M6 x 30	1	SP41020630
6	Pull Knob 32mm	1	SP2313POLS / SP2313BRSH

Dimensions given are in mm.
Bathroom Butler® reserves the right to alter and/or remove designs from time to time without prior notice.
This drawing is to be used for reference purposes only. E & O.E.

Copyright Bathroom Butler © 2019

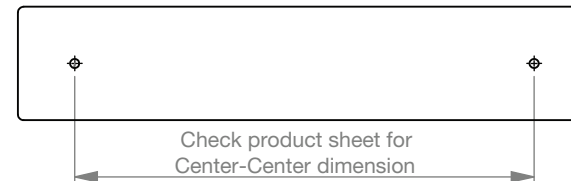
Fasteners Supplied:
Suitable for Glass thickness 8-10mm



*** Required Order Quantity:**
Polished BTA item- 1 x 1007POLS + 1 x 1008POLS
Brushed BTA item- 1 x 1007BRSH + 1 x 1008BRSH

Glass drilling:

- * Recommended hole size MINIMUM =Ø8mm
- * Drill hole before toughing glass



BB™ BATHROOM BUTLER

